

Model: VLMBN

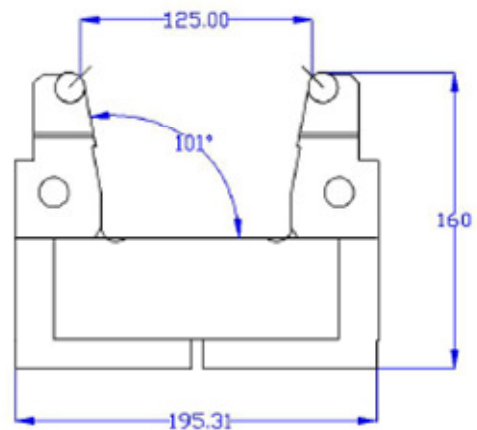
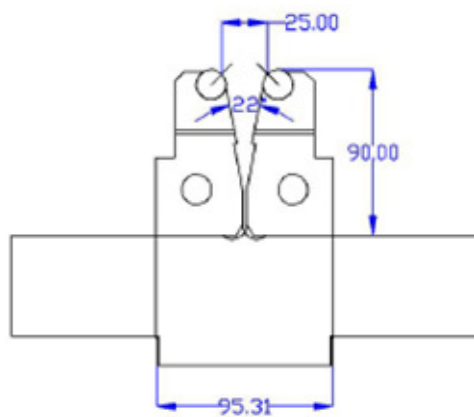
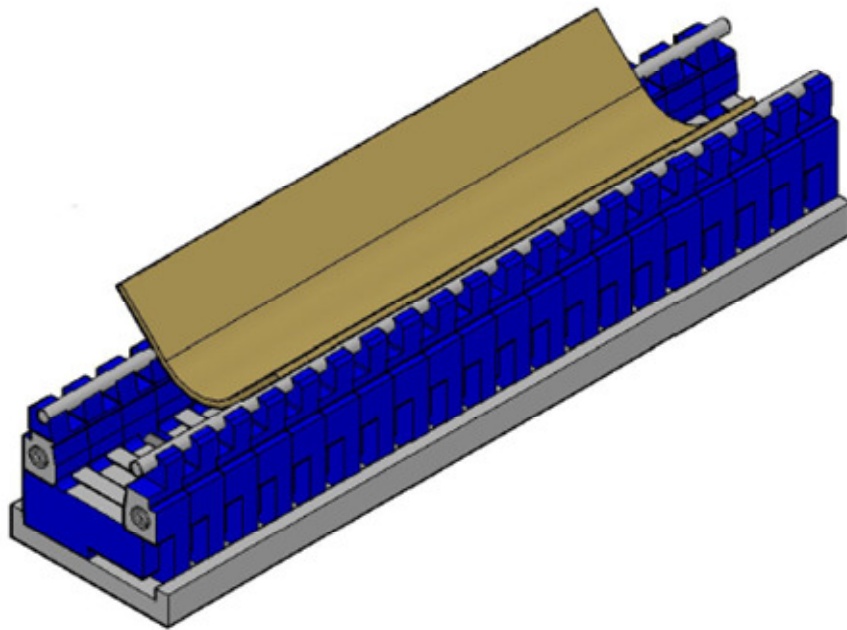
W : 25 – 125 mm

R : 8 mm

Max. Load: 90° 125 t/m

Operating angle: from 30° – 180°

Die length: 250, 500, 550, 1000 and 1050 mm



VLM bvba

Address: Slingerweg 56, 3600 Genk, Belgium Phone: +32(0)89-492767, Fax: +32-(0)89-328711
Email: info@vlmbvba.com – Website : www.vlmbvba.com